



FREEDOM SERIES WALK-IN INSTALLATION INSTRUCTIONS

WHIRLPOOL MODELS: FW5330RH/LH, FC5330RH/LH, FW4826RH/LH, FC4826RH/LH,
FW6032RH/LH, FC6032RH/LH, FW5030RH/LH, FC5030RH/LH, FWM5030RH/LH

THERMAL AIR MODELS: FA5330RH/LH, FC5330RH/LH, FA4826RH/LH, FC4826RH/LH,
FA6032RH/LH, FC6032RH/LH, FA5030RH/LH, FC5030RH/LH

MICRO AIR MODELS: FM5330RH/LH, FAM5330RH/LH, FM4826RH/LH, FAM4826RH/LH,
FM6032RH/LH, FAM6032RH/LH, FM5030RH/LH, FAM5030RH/LH, FWM5030RH/
LH, FCM5030RH/LH

SOAKING TUB MODELS: FS5330RH/LH, FS4826RH/LH, FS6032RH/LH, FS5030RH/LH



NOT SUITABLE FOR FIELD INSTALLED HEATER READ AND FOLLOW ALL INSTRUCTIONS

INSPECT THIS SHIPMENT FOR POSSIBLE TRANSIT DAMAGE

This unit has been factory tested for leaks and workmanship. Damage may occur during shipping or in the actual installation. It is required that the unit be field tested prior to final installation. Failure to do so may result in voiding the manufacturer's warranty. Under no circumstances will the manufacturer be liable for any damage due to leaks by the unit.

HOW TO WATER TEST

Fill the unit with water to a level one inch above the jets and visually inspect all fittings for any static leaks. If any leaks are noticed, contact your dealer or the factory at once. Do not install the unit until the leaks are repaired.

INSTRUCTIONS PERTAINING TO A RISK OF FIRE, ELECTRICAL SHOCK, OR INJURY TO PERSONS

READ AND FOLLOW ALL INSTRUCTIONS

WARNING – When using this unit, basic precautions should always be followed, including the following:

- **READ AND FOLLOW ALL INSTRUCTIONS.**
- **DANGER:** To reduce the risk of injury, do not permit children to use this unit unless they are closely supervised at all times.
- Use this unit only for its intended use as described in this manual. Do not use attachments not recommended by the manufacturer.
- Never drop or insert any object into any opening.
- Do not operate this unit without the guard over the suction fitting.
- The unit must be connected only to a supply circuit that is protected by a ground-fault circuit-interrupter (GFCI). Such a GFCI should be provided by the installer and should be tested on a routine basis. To test the GFCI, push the test button. The GFCI should interrupt power. Push the reset button. Power should be restored. If the GFCI fails to operate in this manner, the GFCI is defective. If the GFCI interrupts power without the test button being pushed there is a ground current flowing, indicated the possibility of an electric shock. Do not use this unit if the GFCI is not working properly. Disconnect the unit immediately and have the problem corrected by a qualified service representative before using.
- **DANGER: RISK OF ELECTRICAL SHOCK.** Connect only to a circuit protected by a ground-fault circuit-interrupter.
- Ground is required. The unit should be installed by a qualified service representative and grounded.
- (For built-in and custom units) Install to permit access for servicing.

SAVE THESE INSTRUCTIONS

INSTALLING THE UNIT

The Freedom Series unit is designed to be installed as a freestanding unit, but can be built into an alcove. Several items of precaution should be taken during installation:

- **USE THIS PRODUCT ONLY FOR ITS INTENDED USE AS DESCRIBED FURTHER IN THESE INSTRUCTIONS.**
- **DURING CONSTRUCTION, THE TUB'S SHELL IS VULNERABLE TO DAMAGE CAUSED BY FALLING OBJECTS. DO NOT STAND IN THE TUB FOR INSTALLATION.**
- **NEVER STORE OTHER CONSTRUCTION MATERIALS INSIDE THE TUB.**
- **PRINTED DIMENSIONS ARE FOR REFERENCE ONLY. ACTUAL MEASUREMENTS SHOULD BE TAKEN FROM THE TUB.**
- **THE TUB MUST BE WATER TESTED FOR LEAKS BEFORE THE TUB IS COMPLETELY ENCLOSED AND INSTALLED.**
- **IF THIS UNIT IS NOT BEING INSTALLED ON A CONCRETE SLAB, IT IS RECOMMENDED TO ADD A LAYER OF 3/4" PLYWOOD TO THE SUBFLOOR TO EVENLY DISTRIBUTE THE WEIGHT OF THE UNIT TO THE FLOOR JOISTS.**

Step 1: Determine final location and review framework for the unit. If installing into an “alcove” type installation, unit should be able to slide into final area without binding. Rough-in plumbing and electrical hook-ups according to relevant building codes and regulations. Please review these instructions for rough-in dimensions and allow for spacing as listed plus any requirements for lifting devices.

Check all applicable building codes. All electrical and plumbing work must be performed by qualified personnel!

Step 2: Remove all packing material and cardboard from the unit. Set aside accessory box which was shipped inside access compartment. Remove unit from pallet. Make sure the door is in the closed position for installation. This will allow proper installation and help maintain the true shape of the tub unit itself.

Step 3: Slide unit into place to verify there are no interference issues between connections and tub. Level the unit in its final location. Then slide the unit back into the working area.

Step 4: Level the unit by turning the adjustable legs to raise or lower the unit. This should be done before doing anything else. Check to see that the unit is level by using a 4' level across the back and side of the unit.

Step 5: Clean water lines of debris prior to connection. Valves, shower heads, and accessories may become clogged or damaged if the lines are not clear. *Warranty does not cover damage caused by debris in the water lines.*

Step 6: Connect the hot and cold water inlet hoses to facility plumbing.

Step 7: Set unit back into place, re-check level.

Step 8: If the unit has an air blower, whirlpool pump, and/or electrical heater, plug each individual electrical cord into its own individual 120v 15a GFCI circuit.

Step 9: Attach any accessories that have not been installed as yet including the waste and overflow and shower hose. The shower hose is concealed inside the unit and can be pulled out for use.

Step 10: Test unit for proper operation. Be sure to clean inside of unit prior to filling unit. Excess debris may damage the air blower or whirlpool pump. Check the unit for any leaks.

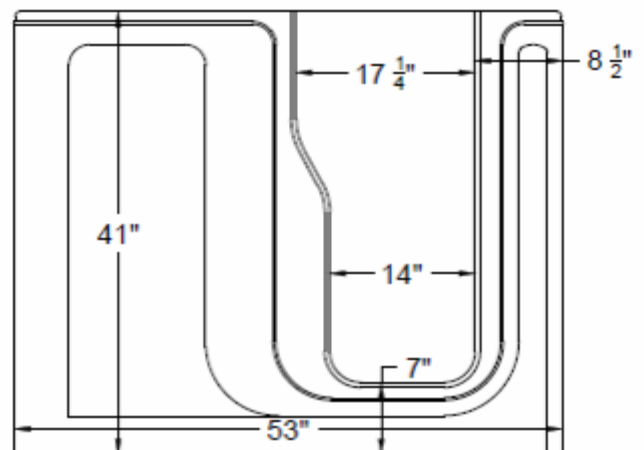
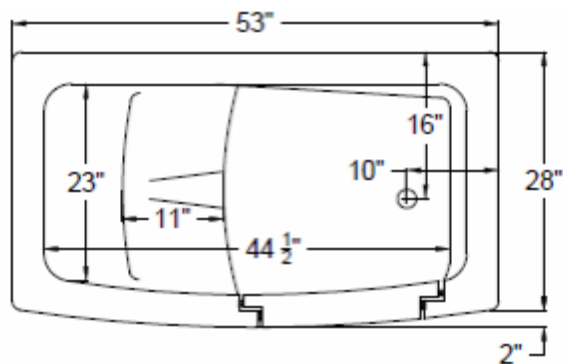
Step 11: Remove any installation labels and directions. Clean unit with warm water and a mild non-abrasive cleaner.

NOTE: The thorough inspection and startup of the unit is required before first use. It is the installer's responsibility to check for and hand tighten as necessary threaded connections on all parts of the tub as part of this start-up procedure.

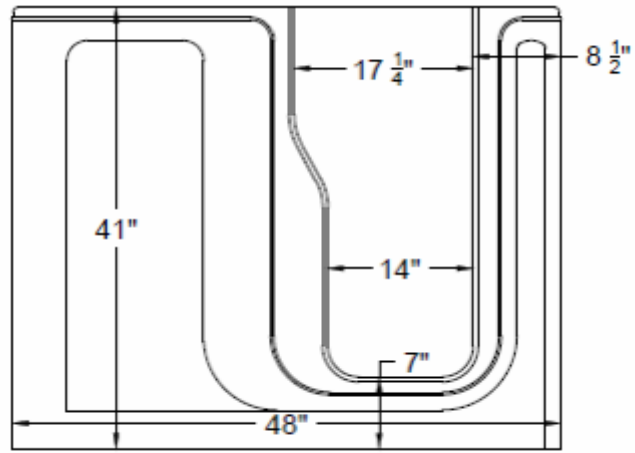
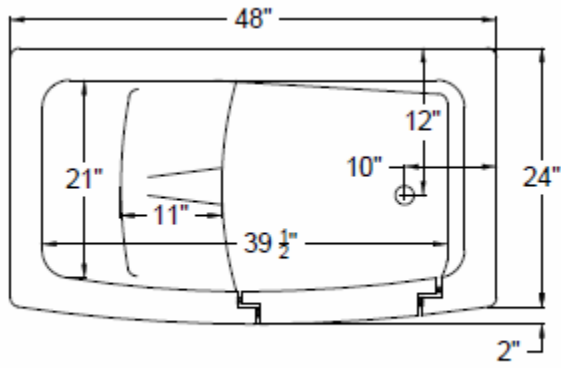
ROUGH IN DIMENSIONS

NOTE: These measurements are for reference only; actual measurements should be taken from the unit itself.

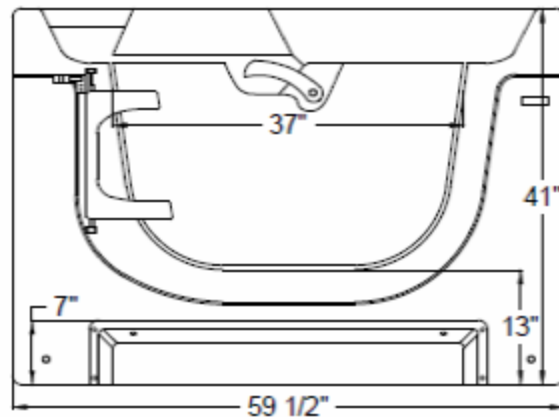
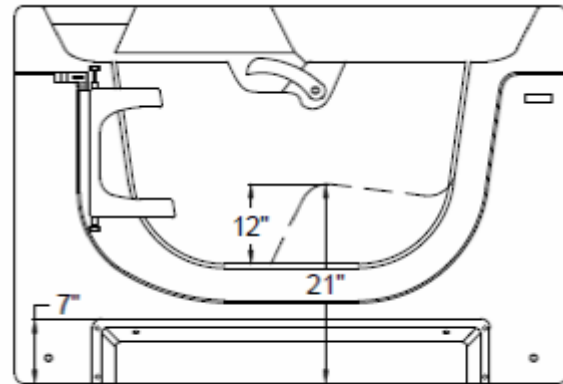
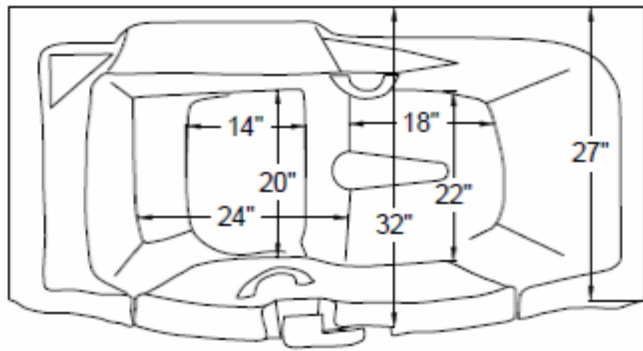
MODELS: FS/FW/FA/FC/FM/FAM5330RH/LH (Reverse drawings for left hand units)

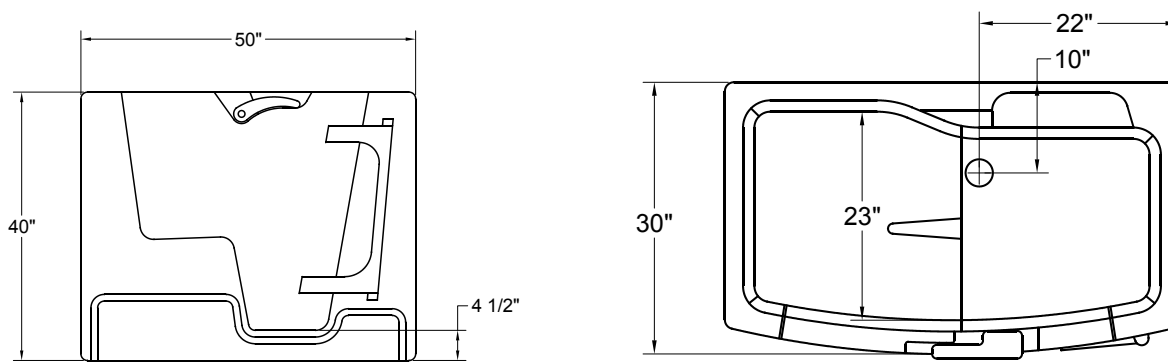


MODELS: FS/FW/FA/FC/FM/FAM4826RH/LH (Reverse drawings for left hand units)



MODELS: FS/FW/FA/FC/FM/FAM6032RH/LH (Reverse drawings for right hand units)





RIGHT HAND UNIT

PNEUMATIC OPERATING INSTRUCTIONS

Pneumatic controls will have one, two, or three round push buttons depending on the options.

DANGER: KEEP HAIR AND CLOTHING A MINIMUM OF 12" AWAY FROM ALL SUCTION FITTINGS AT ALL TIMES. PERSONS WITH LONG HAIR SHOULD EITHER SECURE THEIR HAIR TO A MINIMUM LENGTH OR WEAR A BATHING CAP.

CHILDREN SHOULD NOT BE LEFT UNATTENDED AT ANY TIME IN THE UNIT.

WHIRLPOOL

- 1) DO NOT START THE PUMP UNTIL ALL WATER JETS ARE COVERED COMPLETELY.
- 2) To activate the whirlpool press the round pneumatic button once.
- 3) To deactivate the whirlpool press the round pneumatic button again.

THERMAL AIR

- 1) The Blower has three speeds. Press the round button once for high, press a second time for medium, press a third time for low speed, and to turn the blower off press the button a fourth time.
- 2) The unit will run for twenty minutes and turn itself off. If you desire to restart the unit for another twenty minute cycle, repeat step one.
- 3) When the unit is turned off for the final time, the purge cycle is started. After twenty minutes the unit will automatically turn itself on for one minute. The purpose of the purge cycle is to flush any residual water out of the system. It is necessary for the unit to be drained prior to the purge for it to be affective.

Important Note: Any time you put water into the unit and do not turn on the Thermal Air (i.e. take a shower, clean the unit, or take a soaking bath) one must turn the unit on and then off as detailed above. This will start the purge cycle to flush the system of residual water.

MICRO AIR

- 1) DO NOT START THE PUMP UNTIL THE WATER JET IS COVERED COMPLETELY.
- 2) To activate the Micro Air system press the round pneumatic button once.
- 3) To deactivate the Micro Air system press the round pneumatic button again.

ELECTRONIC OPERATING INSTRUCTIONS

Electronic controls will have either a round or oval keypad with the TradeWind Logo Insignia printed on them. Please disregard these instructions if this unit doesn't have this keypad.

DANGER: KEEP HAIR AND CLOTHING A MINIMUM OF 12” AWAY FROM ALL SUCTION FITTINGS AT ALL TIMES. PERSONS WITH LONG HAIR SHOULD EITHER SECURE THEIR HAIR TO A MINIMUM LENGTH OR WEAR A BATHING CAP.

CHILDREN SHOULD NOT BE LEFT UNATTENDED AT ANY TIME IN THE UNIT.

- 1) Fill the unit with water above the highest jet.
- 2) To activate the whirlpool system press the on button with the graphic that resembles a water jet. The pump will run for 20 minutes, or until the off button with the same graphics is pushed. If the pump times out, it can be restarted by repeating this step.
- 3) To activate the air system press the on/off button with the bubbles graphic on it. This button is also used to deactivate the thermal air. The button next to the on/off will increase or decrease the air volume by pressing and holding. The third button in line with the bubble graphic will put the thermal air into a wave cycle if pressed once, and an on/off cycle if pressed a second time.
- 4) To turn on an underwater light simply press the button that has the light bulb graphic on it. To change the color of the light, press the button to turn the light off and then turn it on again. This will switch to the next color in the sequence. Repeat this step until you reach the desired color. The color will remain set every time you use the light until you change the color again.

PURGE CYCLE

When the Thermal Air is turned off for the final time, the purge cycle is started. After twenty minutes the unit will automatically turn itself on for one minute. The purpose of the purge cycle is to flush any residual water out of the system. It is necessary for the unit to be drained prior to the purge for it to be effective.

Important Note: Any time you put water into the unit and do not turn on the Thermal Air (i.e. take a shower, clean the unit, or take a soaking bath) you must turn the unit on and then off as detailed above. This will start the purge cycle to flush the system of residual water.

CLEANING AND MAINTENANCE

Flushing of the pump and piping or circulation system should be done monthly when the system is under normal use.

The following procedures should be used:

- 1) Fill the tub with hot water above the jets and add one to two (1-2) cups of vinegar **OR** bleach.
- 2) Activate the system and let it run for 10 minutes.
- 3) Turn the system off and let it stand for 10 minutes.
- 4) Drain the unit completely.
- 5) Fill the tub with cold water above the jets.
- 6) Repeat steps 2-4.

DURING CLEAN-UP, USE MILD NON-ABRASIVE CLEANING AGENTS. DO NOT USE ACETONE OR LAQUER THINNERS SINCE THEY WILL HARM THE ACRYLIC SURFACE. THE FOLLOWING CLEANERS ARE RECOMMENDED:

- Glass cleaner is the most widely used and most highly recommended cleaners.

- Alcohol or mineral spirits may be used on difficult cleaning areas.

Scratches may be removed by sanding and buffing the surface. However, you should first consult a professional or contact the manufacturer before performing this task. A mild polishing agent such as Jewelers Rouge or very mild abrasive toothpaste can be used on slight surface scratches. Always polish with a soft cotton cloth. DuPont No. 7 White Polishing Compound may be used on slight surface scratches.

Whenever in doubt, it is always recommended that you consult your local dealer or the manufacturer before attempting any repair other than normal routine maintenance. The finish on your TradeWind bathtub is one of the most durable materials available, but certain cleaning products can harm the surface. Please use the cleaners listed above if at all possible.

Special Note: Always keep the door to this unit open in between usages. This will allow the doors seal to fully expand to ensure the seal operates properly, and to prolong the life of the door seal.



LIMITED LIFETIME WARRANTY

TradeWind Industries, Inc. warrants to the residential user of its acrylic products that all tubs, whirlpools, and Thermal Air Units manufactured by it will be free from defects in material and workmanship which might adversely affect the performance of the products as a bathing unit for a period of five (5) years. Motor, pumps/blowers, metallic finishes, plumbing, and hardware for a period of one (1) year only. The door seal (Teflon infused rubber) has a life time warranty.

Our obligation under this warranty shall be limited to the repair of said unit or replacement BUT SHALL NOT INCLUDE LABOR CHARGES FOR THE REMOVAL AND REPLACEMENT OF THE UNIT or other expenses such as transportation costs. This warranty applies only to residential use and will become void if the unit and its fixtures are installed in violation of any applicable local, state, or national code or if removed from the point of original installation and/or installed by methods other than those shown on the installation sheets provided.

This warranty shall not apply and we shall have no liability for damages resulting from abuse or misuse of the unit or accidental damage incurred during installation. The unit is carefully inspected before shipment and any chips, cracks, or blisters are to be considered shipping or handling damage and are not covered under this limited warranty.

This warranty is non-transferable by the original purchaser and is effective only if a photocopy or the original purchase receipt is submitted along with a written request for claim action. All claims should be made to:

TradeWind Industries Inc.
7612 Drag Strip Road
Fairview, TN 37062

Claims must be filed within thirty (30) days after discovery of the defect to be considered under this Limited Warranty. After receipt of such notice, TradeWind Industries Inc. will make an investigation and endeavor to adjust the claim as quickly as possible.