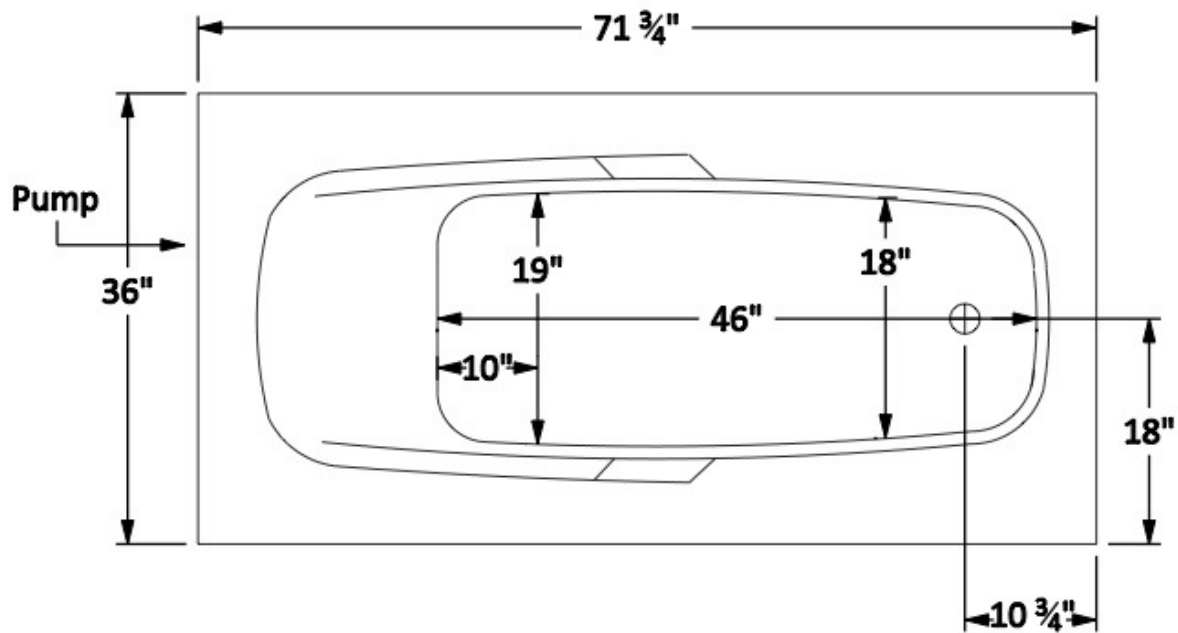




CW3672

CT3672 (*Soaking Tub Only*)



Standard Equipment Specifications:

- Whirlpool 6 Jet 1.5HP(120V/15A GFCI)
- Height Bottom of Flange to Floor 20" (Thermal Air Units 21")
- Maximum Water Depth 13-3/4"
- Operating Capacities: Min: 38g Max: 65g
- 20 Year Limited Warranty
- Measurements Vary +/- 1/4"

Optional Equipment Specifications:

- Constaheat Electric In-Line Heater 1.5KW (Requires Own 120V/15A GFCI)
- Thermal Air Massage 108 Air Inlet 1HP Air Blower (Requires Own 120V/15A GFCI)