

FREEDOM SERIES WALK-IN BATHING SYSTEM

*with wide opening door
for easy access...*

The TradeWind Freedom Series Walk-in Bathing System is designed with the needs of virtually every bather in mind.

The strategically located grab bar and wide opening door allows steady access to the comfortable sculpted seat.

Personal bathing at it's finest.

The Freedom Series is available as a base soaking tub, as a Hydro-Massage Whirlpool System, as a Thermal-Air Massage System, or as a Combination unit with both whirlpool and air. The 41" height allows for a fully immersed bath while seated.

In addition, you can add many luxury features to enhance your bathing pleasure.



HYDRO-MASSAGE WHIRLPOOL SYSTEM With Consta-Heat

TradeWind, an innovator of Whirlpool Bath products since 1989 incorporates true Hydro-Massage Bath technology in their Freedom Series Bathing Systems. You can obtain a full body massage while relaxing and letting the cares of the day slip away. The Freedom Series Standard unit (53" x 30") utilizes twelve jets (4 adjustable leg, 4 micro knee/calf, and 4 spinning lumbar).

The Freedom Mini (48" x 26") utilizes eight jets (4 adjustable leg and 4 spinning lumbar). Both units with whirlpool come standard with our Consta-Heat inline electric heater to maintain your bath temperature to enhance your bathing experience.



THERMAL-AIR MASSAGE™

To enhance your bathing pleasure in a different way, you can enjoy the soothing sensation of thousands of tiny bubbles surrounding your body from our 16 air injectors strategically placed to give you maximum enjoyment. The heated air supply is volume controllable, allowing you to choose from a gentle to a forceful massage, and everything in between.

To maximize your enjoyment, add both systems to your Freedom Bathing System. You now have the best of both worlds. A full adjustable Hydro-Massage bath and the caressing sensation of the Thermal-Air Massage. In addition, there are performance and aesthetic enhancing options available to make your bath even more exhilarating and enjoyable.

ACCESSORIES & OPTIONS

THERMOSTATIC FAUCET

Hansgrohe Thermostatic (Anti-Scald) Faucet w/RainDance Handheld shower is ergonomically designed with a lever handle and thermostatic control for optimum safety. The faucet handle operates the diverter/flow control cartridge to deliver precise tempered water. The faucet assembly is factory installed and tested.

The trim kit will be field attached by the installer. Available in Polished Chrome only.



CABLE DRIVE DRAIN

Geberit Cable Drive Waste & Overflow with the ADA handle allows for quick draining of the tub with the flip of the lever. Available in Polished Chrome only.

Standard waste and overflow consists of a hospital stopper drain with stainless steel pull chain.

THE "OZONATOR"

Using the latest in Ozone technology, the "Ozonator" continuously cleans and disinfects the water as it recirculates throughout the system, providing you with clean, fresh water as you enjoy your time in your Tradewind whirlpool tub.



CHROMOTHERAPY

Choose a color that suits your mood. Soothing colors, like soothing aromas, add a sensual dimension to your bathing experience. Choose from six relaxing shades and enjoy!



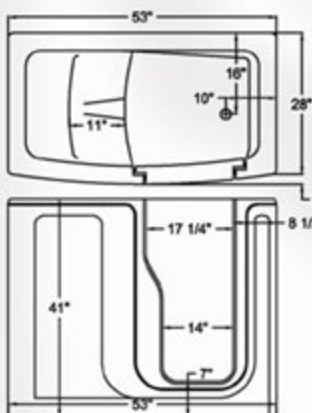
EASY-TOUCH ELECTRONIC CONTROL

Safety low water sensing and easy keypad control adds a sense of security and ease of operation to your bathing experience.

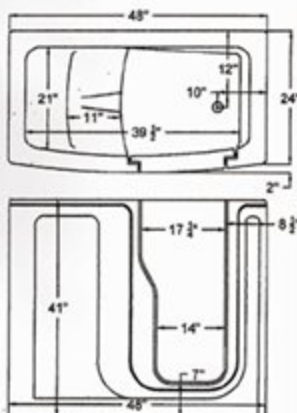


The Freedom Series is designed as a free standing or built-in appliance. When utilized as a free standing unit, the optional end panels (factory installed only) may be ordered. As a built-in unit, TradeWind offers an optional 7" extension kit that is field installed. This allows the 53" unit to fit a standard bath opening.

STANDARD



MINI



SPECIFICATIONS:

- Available in White Only (Marine Gel Coat)
- Dimensions: Standard - 53" x 30" x 41"
Mini - 48" x 26" x 41"
- Available as Soaking unit (FS), Whirlpool (FW), Thermal-Air (FA), and Combination unit with Air and Whirlpool (FC)
- Consta-Heat inline heater is standard on Whirlpool and Combination units.
- Base unit is a Soaking tub (FS) (white grab bar and chrome waste and overflow included)
- Slip Resistant floor surface
- Detachable Front Panel for easy service access
- Welded tubular Aluminum frame.
- Limited LIFETIME Warranty

Discover
The
Luxury...
TRADEWIND®
WHIRLPOOLS

www.TradeWindinc.com

615.799.8300

7612 Drag Strip Road, Fairview, TN 37062

Proudly Made In The USA

