

TRADEWIND

SS3060

SOLID SURFACE
FREESTANDING BATH

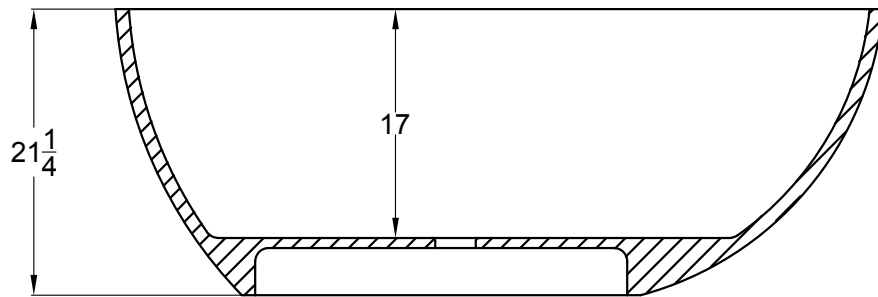
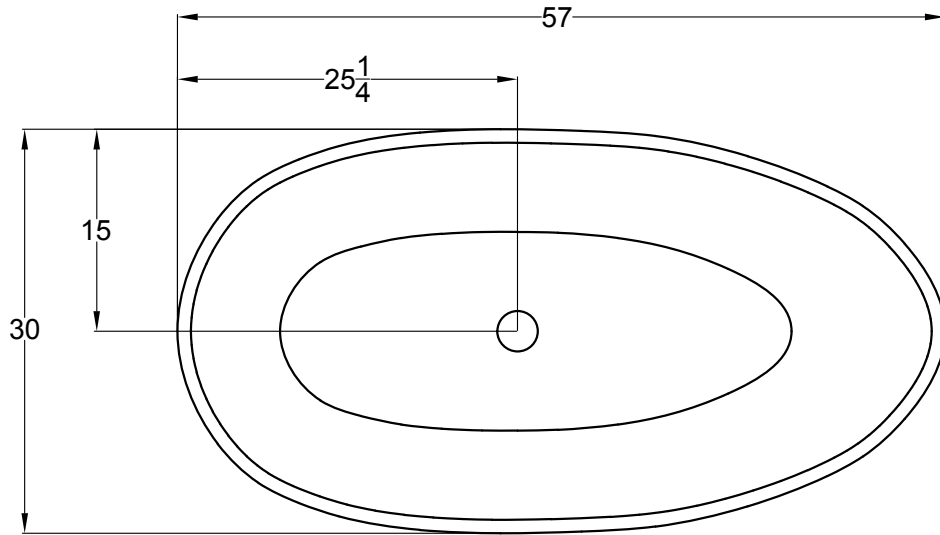


THE TRADEWIND SS3060 ACRYLIC SOLID SURFACE FREESTANDING BATHTUB HAS A CLEAN MODERN DESIGN. IT IS SIMPLE YET ELEGANT, OFFERING CONTEMPORARY STYLE FOR THE MODERN WORLD.

THE ACRYLIC SOLID SURFACE MATERIAL IS NON-POROUS MAKING IT STAIN, MOLD AND MILDEW RESISTANT. MOLDED AS A SINGLE PIECE THIS TUB IS SOLID THROUGHOUT.

IT COMES STANDARD WITH AN INTEGRATED LINEAR OVERFLOW, AND COLOR MATCHING POPUP DRAIN ASSEMBLY.





SPECIFICATIONS

- **MAXIMUM WATER DEPTH: 13.5"**
- **MAXIMUM WATER CAPACITY (WITHOUT BATHER): 55 GALLONS**
- **5 YEAR WARRANTY**
- **MEASUREMENTS ARE FOR REFERENCE ONLY (ACTUAL MEASUREMENTS SHOULD BE TAKEN FROM THE UNIT ITSELF)**



WWW.TRADEWINDINC.COM

(615) 799-8300

7612 DRAG STRIP ROAD, FAIRVIEW, TN 37062