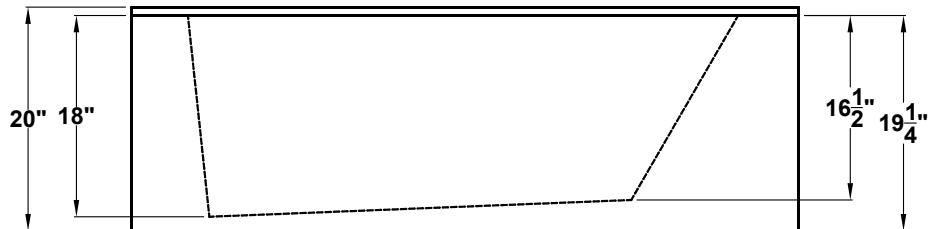
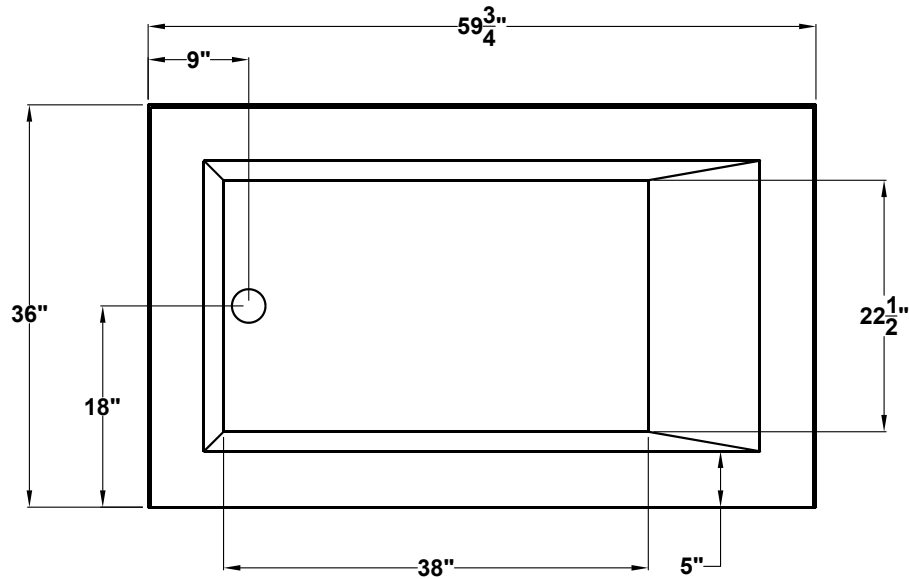




ST/SW3660LH/RH



Standard Equipment Specifications:

- Units Available In Left (LH) & Right (RH) Drain Locations (LH Shown In Drawings)
- Whirlpool System Available (SW3660LH/RH)
- Maximum Water Depth 14-1/2"
- Maximum Water Capacity: 60 Gallons (Without Bather)
- 20 Year Limited Warranty
- Measurements Vary +/- 1/4"